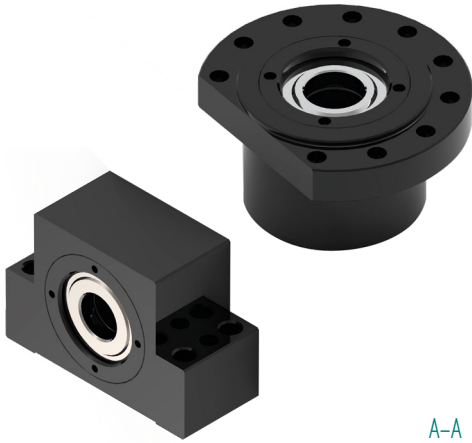




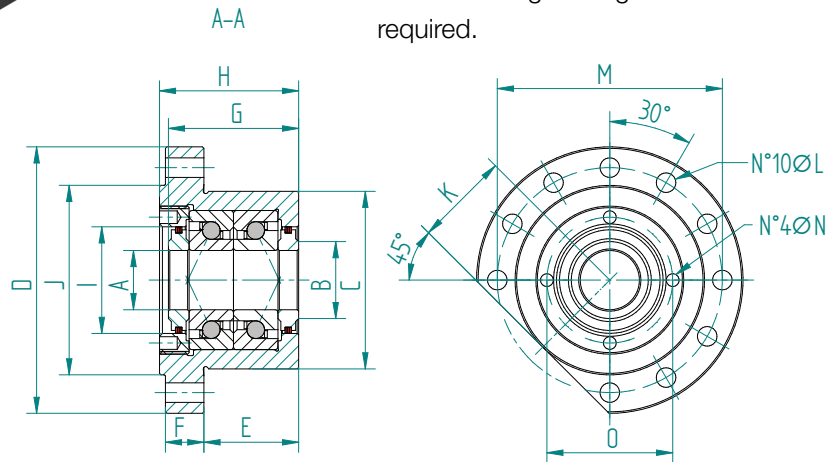
Solution for
**BALL SCREW
SUPPORT**



BSCU D BSPB D standard and heavy-duty

Designed and developed to give the machine manufacturer a ready-made unit providing excellent stiffness and accuracy in ball screw applications.

Each unit is pre-packed with a measured quantity of high quality bearing grease and requires no further lubrication. Other bearing arrangements can be accommodated if required.



CARTRIDGE UNITS - Duplex mounting

Code	18017A020 BSCU 17060 D	18020A020 BSCU 20060 D	18025A020 BSCU 25080 D	18030A020 BSCU 30080 D	18035A020 BSCU 35090 D	18040A030 BSCU 40090 D	18040A080 BSCU 40124 D	18045A020 BSCU 45092 D	18045A040 BSCU 45124 D	18050A020 BSCU 50124 D
Shaft dia.	17	20	25	30	35	40	40	45	45	50
Bearing	17x47x15	20x47x15	25x62x15	30x62x15	35x72x15	35x72x15	40x80x18	45x75x15	45x100x20	50x100x20

Housing Dimension (mm)

	18017A020	18020A020	18025A020	18030A020	18035A020	18040A030	18040A080	18045A020	18045A040	18050A020
A	17,000 16,996	20,000 19,996	25,000 24,996	30,000 29,996	35,000 34,995	40,000 39,995	40,000 39,995	45,000 44,995	45,000 44,995	50,000 49,995
B	26,0	26,0	40,0	41,0	46,0	46,0	66,0	55,0	66,0	66,0
C	60,000 59,987	60,000 59,987	80,000 79,987	80,000 79,987	90,000 89,985	90,000 89,985	124,000 123,982	92,000 91,985	124,000 123,982	124,000 123,982
D	90,0	90,0	120,0	120,0	130,0	130,0	165,0	130,0	165,0	165,0
E	32,0	32,0	32,0	32,0	32,0	32,0	43,5	32,0	43,5	43,5
F	13,0	13,0	15,0	15,0	15,0	15,0	17,0	15,0	17,0	17,0
G	44,26 43,24	44,26 43,24	50,26 49,24	50,26 49,24	50,26 49,24	50,26 49,24	64,26 63,24	50,26 49,24	64,26 63,24	64,26 63,24
H	47,0	47,0	52,0	52,0	52,0	52,0	66,0	52,0	66,0	66,0
I	36,0	36,0	50,0	50,0	60,0	60,0	76,0	60,0	76,0	76,0
J	64,0	64,0	88,0	88,0	98,0	98,0	128,0	98,0	128,0	128,0
K	32,0	32,0	44,0	44,0	49,0	49,0	64,0	49,0	64,0	64,0
L	6,6	6,6	9,2	9,2	9,2	9,2	11,4	9,2	11,4	11,4
M	76,0	76,0	102,0	102,0	113,0	113,0	146,0	113,0	146,0	146,0
N	4,3	4,3	4,3	4,3	4,3	4,3	5,3	4,3	5,3	5,3
O	42,5	42,5	59,5	59,5	66,5	66,5	90,0	66,5	90,0	90,0

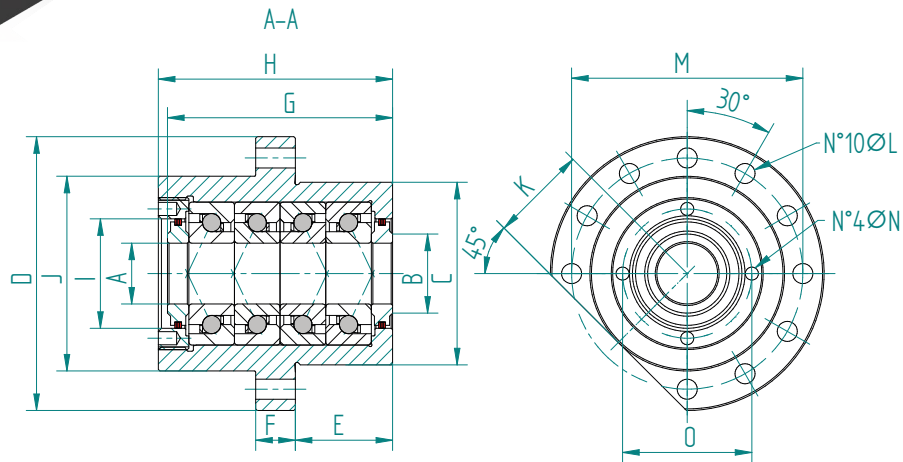


BSCU Q BSPB Q

standard and heavy-duty

Similar in design and features to the series BSBU D and BSPB D except quadruplex bearings are used.

Units with finished holes for dowel can be supplied by special order if required.



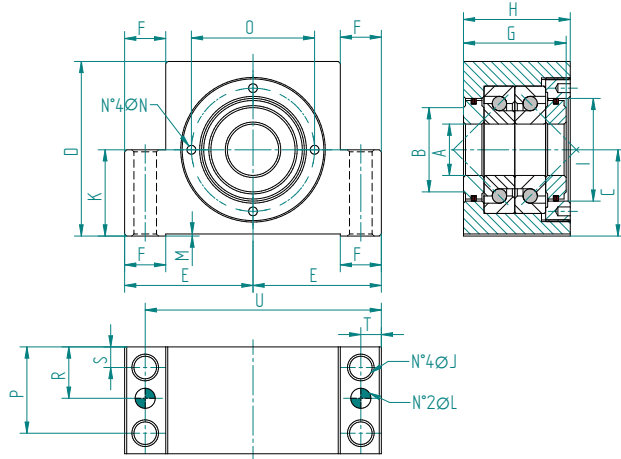
CARTRIDGE UNITS - Quadruplex mounting

Code	18017A010 BSCU 17060 Q	18020A010 BSCU 20060 Q	18025A010 BSCU 25080 Q	18030A050 BSCU 30080 Q	18035A011 BSCU 35090 Q	18040A020 BSCU 40090 Q	18040A010 BSCU 40124 Q	18045A010 BSCU 45092 Q	18045A030 BSCU 45124 Q	18050A010 BSCU 50124 Q
Shaft dia.	17	20	25	30	35	40	40	45	45	50
Bearing	17x47x15	20x47x15	25x62x15	30x62x15	35x72x15	35x72x15	40x80x18	45x75x15	45x100x20	50x100x20

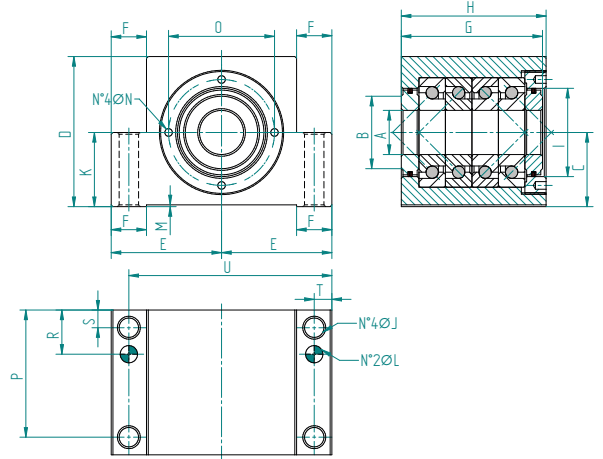
Housing Dimension (mm)

	18017A010	18020A010	18025A010	18030A050	18035A011	18040A020	18040A010	18045A010	18045A030	18050A010
A	17,000 16,996	20,000 19,996	25,000 24,996	30,000 29,996	35,000 34,995	40,000 39,995	40,000 39,995	45,000 44,995	45,000 44,995	50,000 49,995
B	26,0	26,0	40,0	41,0	46,0	46,0	66,0	55,0	66,0	66,0
C	60,000 59,987	60,000 59,987	80,000 79,987	80,000 79,987	90,000 89,985	90,000 89,985	124,000 123,982	92,000 91,985	124,000 123,982	124,000 123,982
D	90,0	90,0	120,0	120,0	130,0	130,0	165,0	130,0	165,0	165,0
E	32,0	32,0	32,0	32,0	32,0	32,0	43,5	32,0	43,5	43,5
F	13,0	13,0	15,0	15,0	15,0	15,0	17,0	15,0	17,0	17,0
G	44,26 43,24	44,26 43,24	50,26 49,24	50,26 49,24	50,26 49,24	50,26 49,24	64,26 63,24	50,26 49,24	64,26 63,24	64,26 63,24
H	47,0	47,0	52,0	52,0	52,0	52,0	66,0	52,0	66,0	66,0
I	36,0	36,0	50,0	50,0	60,0	60,0	76,0	60,0	76,0	76,0
J	64,0	64,0	88,0	88,0	98,0	98,0	128,0	98,0	128,0	128,0
K	32,0	32,0	44,0	44,0	49,0	49,0	64,0	49,0	64,0	64,0
L	6,6	6,6	9,2	9,2	9,2	9,2	11,4	9,2	11,4	11,4
M	76,0	76,0	102,0	102,0	113,0	113,0	146,0	113,0	146,0	146,0
N	4,3	4,3	4,3	4,3	4,3	4,3	5,3	4,3	5,3	5,3
O	42,5	42,5	59,5	59,5	66,5	66,5	90,0	66,5	90,0	90,0

BSPB - Duplex mounting



BSPB - Quadruplex mounting



PILLOW BLOCK UNITS

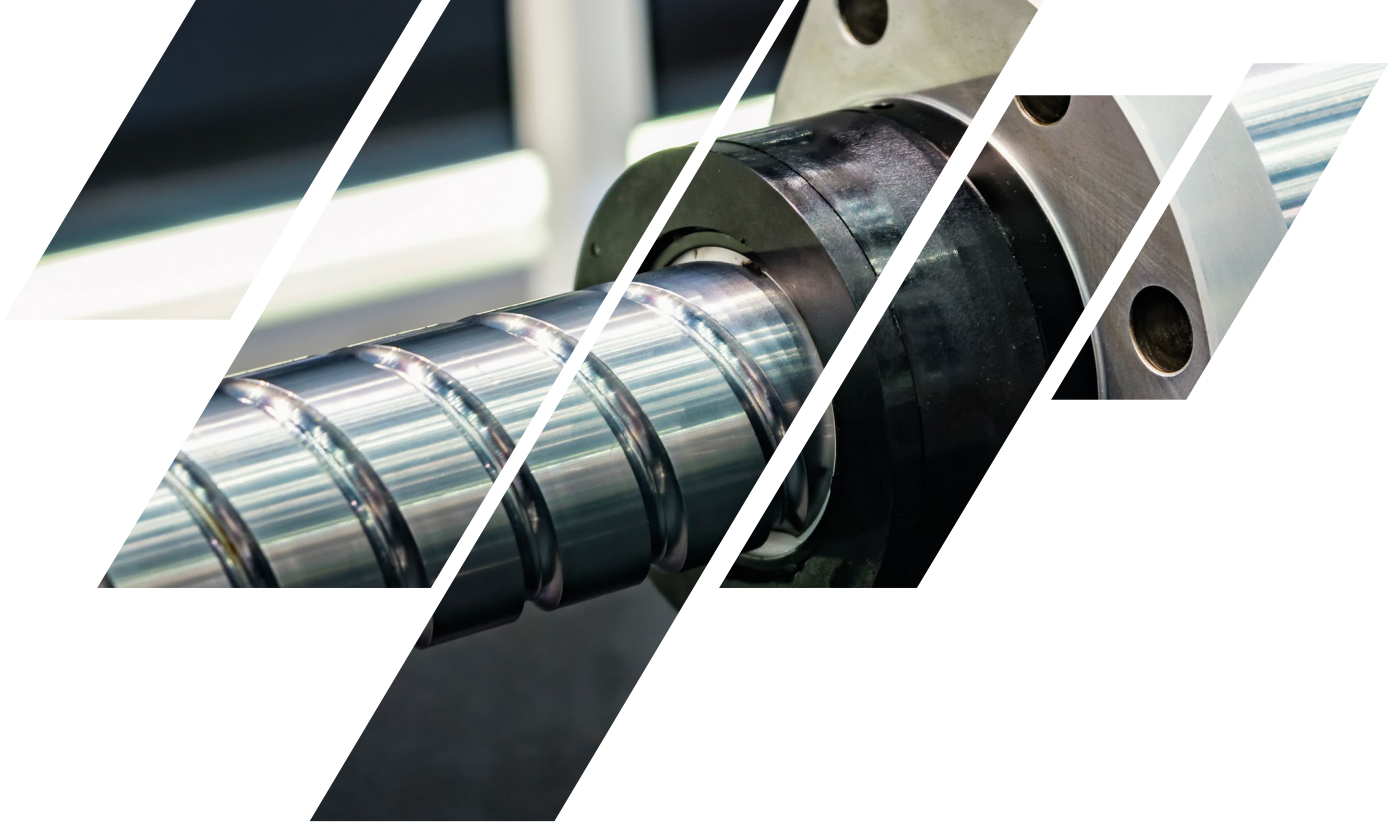
Duplex mounting

Quadruplex mounting

Code	Duplex mounting					Quadruplex mounting				
	18025A030 BSPB 25042 D	18030A060 BSPB 30062 D	18040A070 BSPB 40050 D	18040A090 BSPB 40065 D	18045A060 BSPB 45065 D	18025A050 BSPB 25042 Q	18030A030 BSPB 30042 Q	18040A050 BSPB 40050 Q	18040A060 BSPB 40065 Q	18045A010 BSPB 45065 Q
Shaft dia.	25	30	40	40	45	25	30	40	40	45
Bearing	25x62x15	30x62x15	40x72x15	40x100x20	45x100x20	25x62x15	30x62x15	40x72x15	40x100x20	45x100x20

Housing Dimension (mm)

A	25,000 24,996	30,000 29,996	40,000 39,995	40,000 39,995	45,000 44,995	25,000 24,996	30,000 29,996	40,000 39,995	40,000 39,995	45,000 44,995
B	40,0	41,0	46,0	66,0	66,0	40,0	41,0	46,0	66,0	66,0
C	42,000 41,987	42,000 41,987	50,000 49,987	65,000 64,987	65,000 64,987	42,000 41,987	42,000 41,987	50,000 49,987	65,000 64,987	65,000 64,987
D	85,0	85,0	95,0	130,0	130,0	85,0	85,0	95,0	130,0	130,0
E	62,500 62,487	62,500 62,487	68,000 67,987	95,000 94,987	95,000 94,987	62,500 62,487	62,500 62,487	68,000 67,987	95,000 94,987	95,000 94,987
F	20,0	20,0	20,5	30,0	30,0	20,0	20,0	20,5	30,0	30,0
G	50,26 49,24	50,26 49,24	50,26 49,24	64,26 63,24	64,26 63,24	80,26 78,74	80,26 78,74	80,26 78,74	104,26 102,74	104,26 102,74
H	52,00 51,95	52,00 51,95	52,00 51,95	66,00 65,95	66,00 65,95	82,00 81,95	82,00 81,95	82,00 81,95	106,00 105,95	106,00 105,95
I	50,0	50,0	60,0	76,0	76,0	50,0	50,0	60,0	76,0	76,0
J	11,0	11,0	13,0	18,0	18,0	11,0	11,0	13,0	18,0	18,0
K	42,0	42,0	50,0	65,0	65,0	42,0	42,0	50,0	65,0	65,0
L	9,8	9,8	9,8	11,8	11,8	9,8	9,8	9,8	11,8	11,8
M	1,0	1,0	1,0	1,0	1,0	1,0	1,0	1,0	1,0	1,0
N	4,3	4,3	4,3	5,3	5,3	4,3	4,3	4,3	5,3	5,3
O	59,5	59,5	66,5	90,0	90,0	59,5	59,5	66,5	90,0	90,0
P	42,0	42,0	42,0	53,0	53,0	72,0	72,0	72,0	93,0	93,0
R	25,0	25,0	25,0	32,0	32,0	25,0	25,0	25,0	32,0	32,0
S	10,0	10,0	10,0	13,0	13,0	10,0	10,0	10,0	13,0	13,0
T	10,0	10,0	10,0	15,0	15,0	10,0	10,0	10,0	15,0	15,0
U	115,0	115,0	126,0	175,0	175,0	115,0	115,0	126,0	175,0	175,0



IMA TECNO SOLUTIONS

ITALY

Taylor-made

TECHNICAL features

Ima Tecno design is interchangeable with the major products in the market and can be fitted on request.

High quality and corrosion protection of all material.

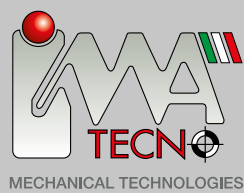
Bearings lubrication: grease for life.

Laser marking with customer specifications.

Axial load ratings duplex mounting

Axial load ratings quadruplex mounting

Bearing dia.	Bearing size	Dynamic (Ca)	Static (Coa)	Dynamic (Ca)	Static (Coa)	Limiting speeds
mm	mm	kN	kN	kN	kN	rpm
17	17x47x15	21,9	26,6	35,5	53,0	6000
20	20x47x15	21,9	26,6	35,5	53,0	6000
25	25x62x15	28,5	40,5	46,5	81,5	4500
30	30x62x15	29,2	43,0	47,5	86,0	4300
35	35x72x15	31,0	67,0	50,5	100,0	3600
40	40x72x15	31,5	52,0	51,5	104,0	3600
40	40x90x20	59,0	89,5	95,5	179,0	3000
45	45x75x15	33,0	57,0	53,5	114,0	3200
45	45x100x20	61,5	99,0	100,0	198,0	2600
50	50x100x20	63,0	104,0	102,0	208,0	2600



IMA TECNO S.R.L.

HEADQUARTERS

VIA DELLE INDUSTRIE N.°1

WAREHOUSE

VIA DELL' ARTIGIANATO N.°4

20851 LISSONE (MB) - ITALY

+39 039 2454524

EXPLORE OUR PRODUCT LINES

- Machine tools / Electro-spindles, Spindles, Heads
- Cutting Technology / Laser, Plasma, Waterjet, Drilling
- Repair and Service / All Brands

